

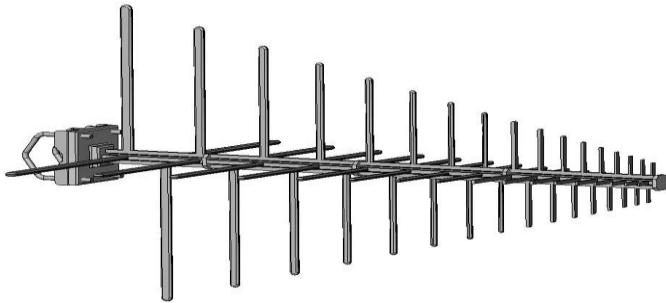
Dual-Polarised LPDA Antenna

500 – 1000 MHz

Product Code: LPDA-A0042

VERSION: 2.5

SPECIFICATIONS:



Electrical:	
Frequency range	500 – 1000 MHz
VSWR	< 2:1
Nominal input impedance	50 Ω
Isolation	> 22 dB
Feed power handling	500 W
Front-to-back ratio	> 20 dB
Gain	> 6 dBi over 95% of the frequency band
Elevation 3 dB beamwidth	68 °
Azimuth 3 dB beamwidth	100 °
Polarisation	Dual
Connectors	Two 7/16 female (one for each pole)
MTBF	50,000 hours
Mechanical:	
Dimensions (w x l)	450 mm x 600 mm
Material	Aluminium, stainless steel, fibreglass
Total mass	<7 kg (including mounting bracket)
Environmental: designed to meet the following specifications	
Wind survival	160 km/h (calculated)
Qualification	Designed to comply with applicable parts of MIL-STD-810E
Temperature (operational)	-40 °C to + 55 °C (no icing)

PRODUCT DESCRIPTION:

The LPDA-A0042 is a high-powered, 500 W, directional log-periodic dipole array that covers the 500 to 1000 MHz frequency band. The antenna is supplied with its mounting bracket.

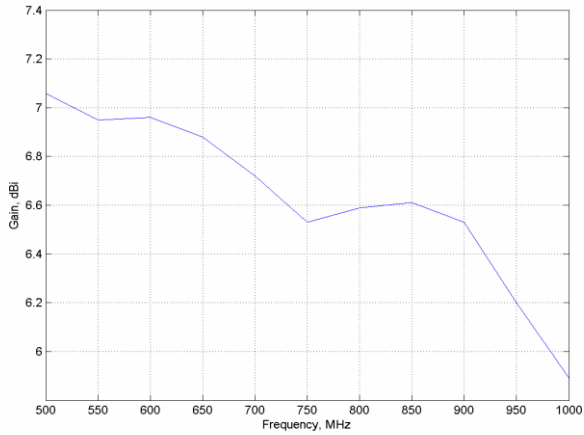
Dual-Polarised LPDA Antenna

500 – 1000 MHz

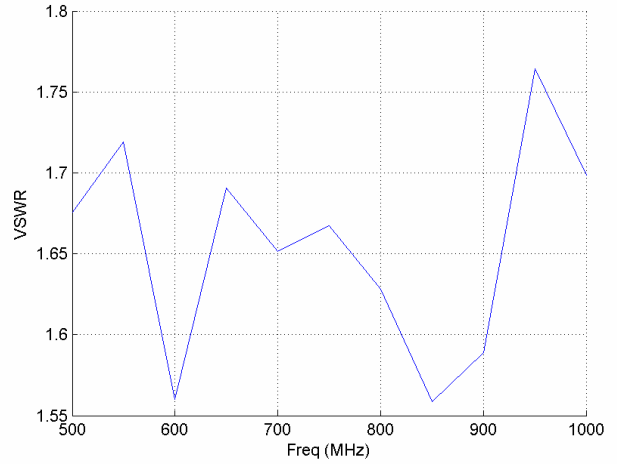
Product Code: LPDA-A0042

VERSION: 2.5

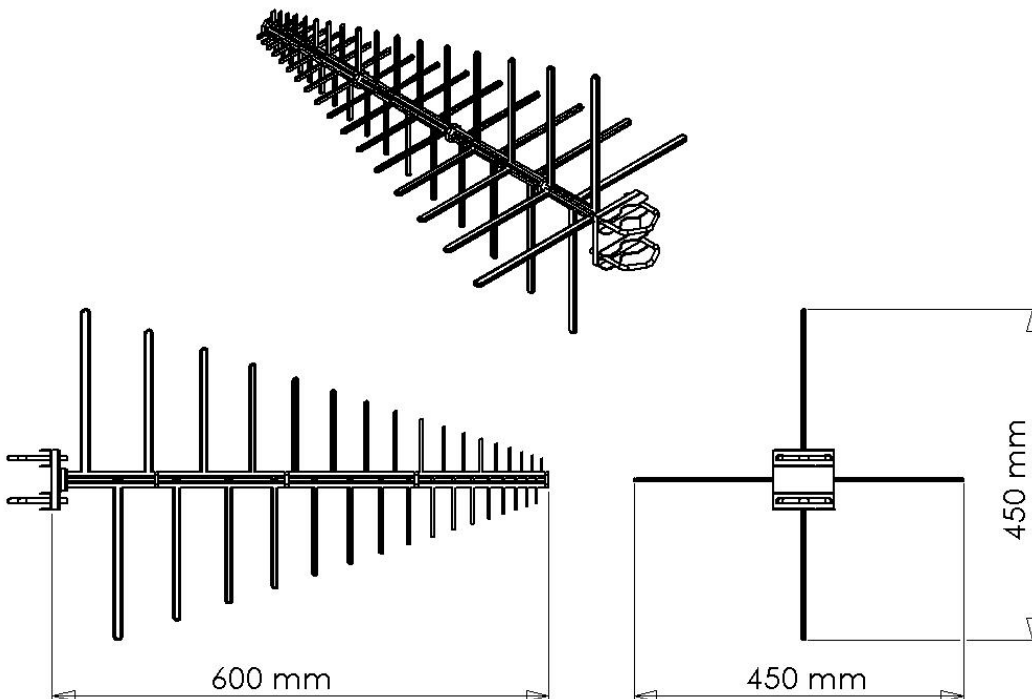
VSWR CURVE FOR EACH POLE:



GAIN CURVE FOR EACH POLE:



PHYSICAL DIMENSIONS:



Dual-Polarised LPDA Antenna

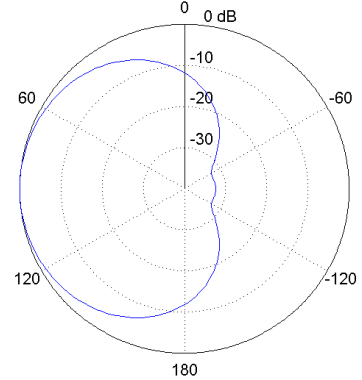
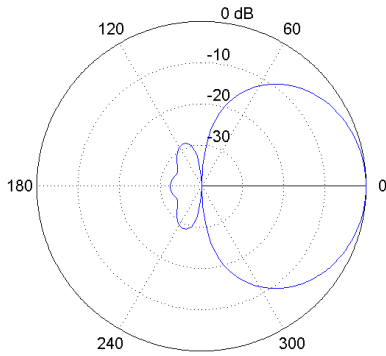
500 – 1000 MHz

Product Code: LPDA-A0042

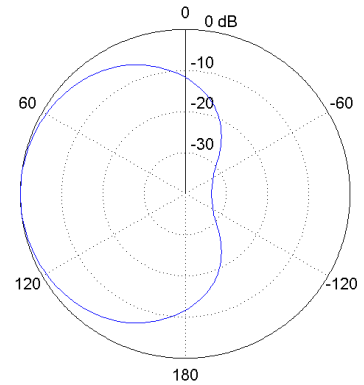
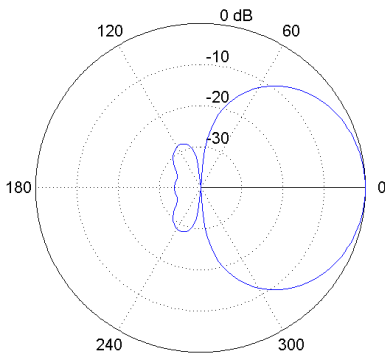
VERSION: 2.5

Radiation patterns:

500 MHz E-plane (left) and H-plane (right) patterns:



750 MHz E-plane (left) and H-plane (right) patterns:



1000 MHz E-plane (left) and H-plane (right) patterns:

